

D-040 COMBINATION AIR VALVE

"BARAK" PATENTED

Reliable operation reduces water hammer incidents.

Dynamic design allows high velocity air discharge, up to 0.8 bar differential pressure; Preventing premature closing.

Lightweight, small dimensions, simple and reliable structure.

The body is made of high strength plastic, and all operating parts are made of specially selected corrosion resistant materials.

The drainage outlets enables removal of excess fluids.

Automatic component

A.R.I patent, Rolling Seal Mechanism:

- Dramatically reduces the possibility of obstruction by debris.
- Discharges high air flow rates upto 160 m³/h.
- One size orifice for a wide pressure range (up to 16 bar).
- Self cleaning mechanism.

Working pressure range: 3/4", 1": 0.2-10 bar (3-150 psi).

2": 0.2-16 bar (2-230 psi).

Available in 3/4" (20mm), 1" (25mm), 2" (50mm), BSPT/NPT threaded.

Options:

- D-040-T: With a ball valve Tap.
- D-040-P: With Nylon Base or D-040-B: Brass base upon request.
- D-040-VAC: Vacuum check. Available as a valve that will only release air from the system and will not admit air to the system in vacuum condition.

Ordering

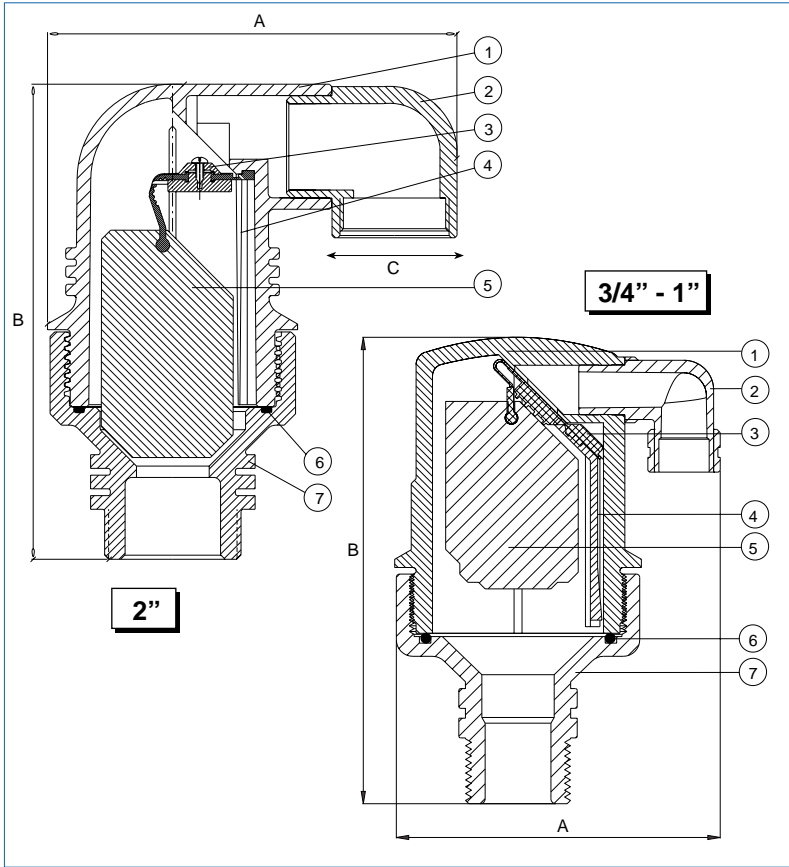
Upon ordering, please specify: model, size, working pressure, threads/flanges standard and type of liquid.



A.R.I. Flow Control Accessories

Kfar Charuv, 12932 Israel Tel. 972-6-6761988 Fax. 972-6-6763402

<http://arivalves.com>



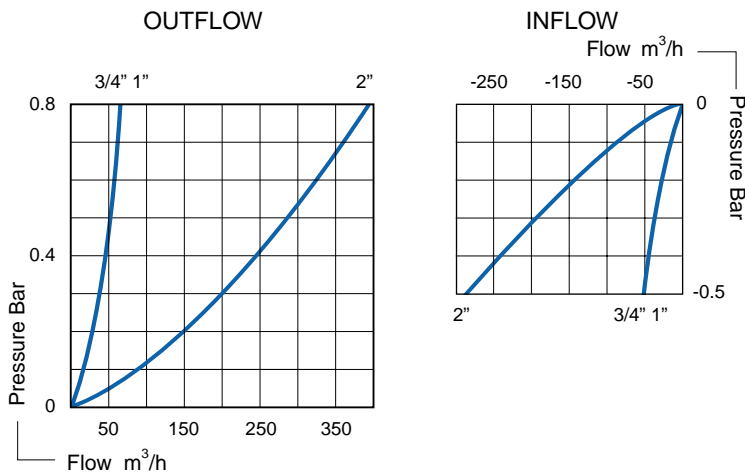
PARTS LIST AND SPECIFICATION

No.	Part	Material
1.	Body	Reinforced Nylon
2.	Drainage Elbow	Polypropylene
3.	Seal Plug Assembly	
4.	Clamping Stem	Reinforced Nylon
5.	Float	Foamed Polypropylene
6.	O-Ring	BUNA-N
7.	Base	Reinforced Nylon
7-01.	Base	Brass ASTM B124
Optional	Ball valve	Brass ASTM B124

DIMENSIONS AND WEIGHTS

Nominal Size	Dimensions mm			Weight Kg	Orifice Area (mm ²):	
	A	B	C		Automatic Valve	Kinetic Valve
2" (50mm)						
D-040 Nylon Base	180	209	1 1/2" BSP	1.1	12	804
D-040 Brass Base	180	209	1 1/2" BSP	2.2	12	804
D-041 with Tap	201	255	1 1/2" BSP	3.5	12	804
3/4" (20mm), 1" (25mm)						
Nylon Base	100	140	3/8" BSP	0.33	7.8	100
Brass Base	100	140	3/8" BSP	0.7	7.8	100

KINETIC AIR FLOW CHART



AUTOMATIC AIR DISCHARGE CHART

