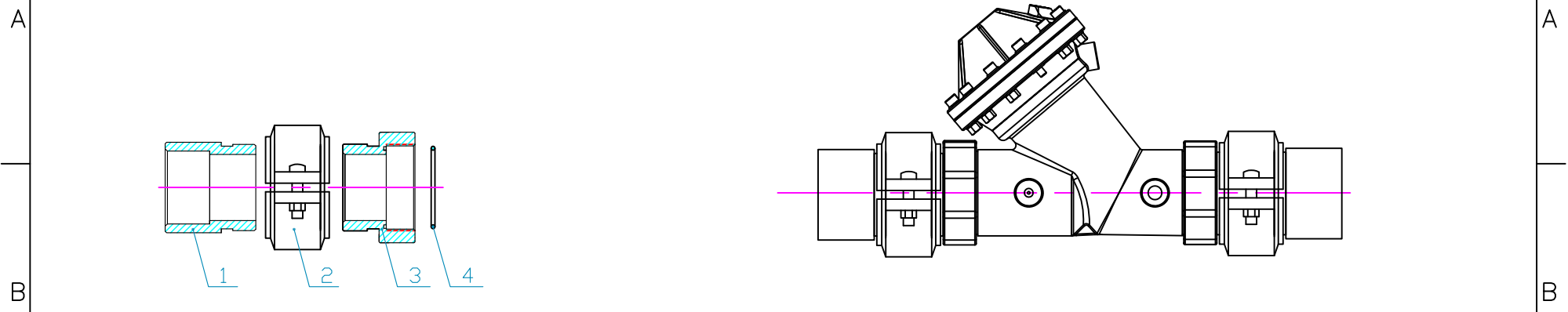


1                      2                      3                      4                      5                      6



COUPLING + SOCKET WELD END CONNECTORS

VALVE	NO.	DESCRIPTION	MATERIAL	PART NO.
524	1	1.5" GROOVED + SOCKET WELD END CONNECTORS	UPVC	52257
		2" GROOVED + SOCKET WELD END CONNECTORS		52258
	2	2" COUPLING	PA	52227
	3	2" GROOVED END CONNECTORS (USED WITH COUPLING)	PVC	52256
526	4	O-RING	EPDM	52224
			NBR	52225
			FKM	52226
	1	2.5" GROOVED + SOCKET WELD END CONNECTORS	UPVC	52336
	2	3" COUPLING	PA	52330
	3	3" GROOVED END CONNECTORS (USED WITH COUPLING)	PVC	52335
	4	O-RING	EPDM	52327
NBR			52328	
FKM			52329	

C

D

				524/526 COUPLING + SOCKET WELD END CONNECTORS		BEIJING KANGJIE ZHICHEN WATER TREATMENT CO., LTD.				
						REVISION	QUANTITY	WEIGHT	SCALE	
				/		01	/	/	/	
MARK NUMBERS	DESCRIPTION OF CHANGES		SIGNATURE			DATE	UNREMARKED TOLERANCES	/	SHEET 1 OF 1	
DRAWN BY/DATE		Anchao Hou 12JUN2016						/	/	
CHECKED BY/DATE							/			
APPROVED BY/DATE							/			
STANDARIZED BY/DATE					MATERIAL GRADE	/				

1                      2                      3                      4                      5                      6